

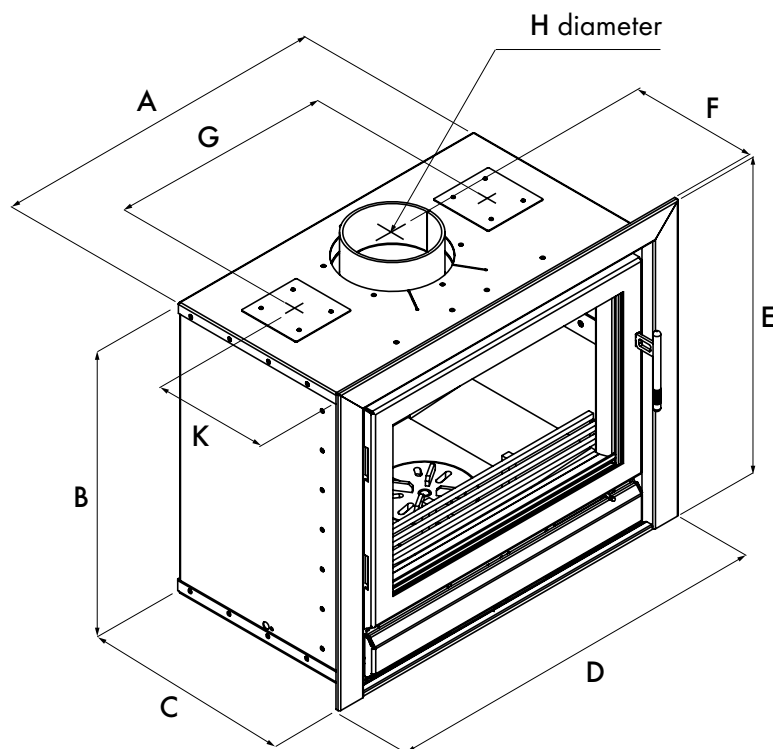
# STOVAX

## PRODUCT DIMENSIONS

### IMPORTANT

The dimensional information given below is to assist you in your choice of appliance. It is not intended to provide all the information that may be required for installation purposes. This can be obtained from your retailer or by viewing/downloading the full installation manuals.

### RIVA 40/55/66 CASSETTE



#### CASSETTE DIMENSIONS (mm)

	Riva 40	Riva 55	Riva 66
A	400	540	650
B	550	660	550
C	350	350	395
D	492	632	742
E	599	709	599
F	23	234	248
G	N/A	360	420
H	128	128	153
K	N/A	234	248
weight	80kg	100kg	110kg