

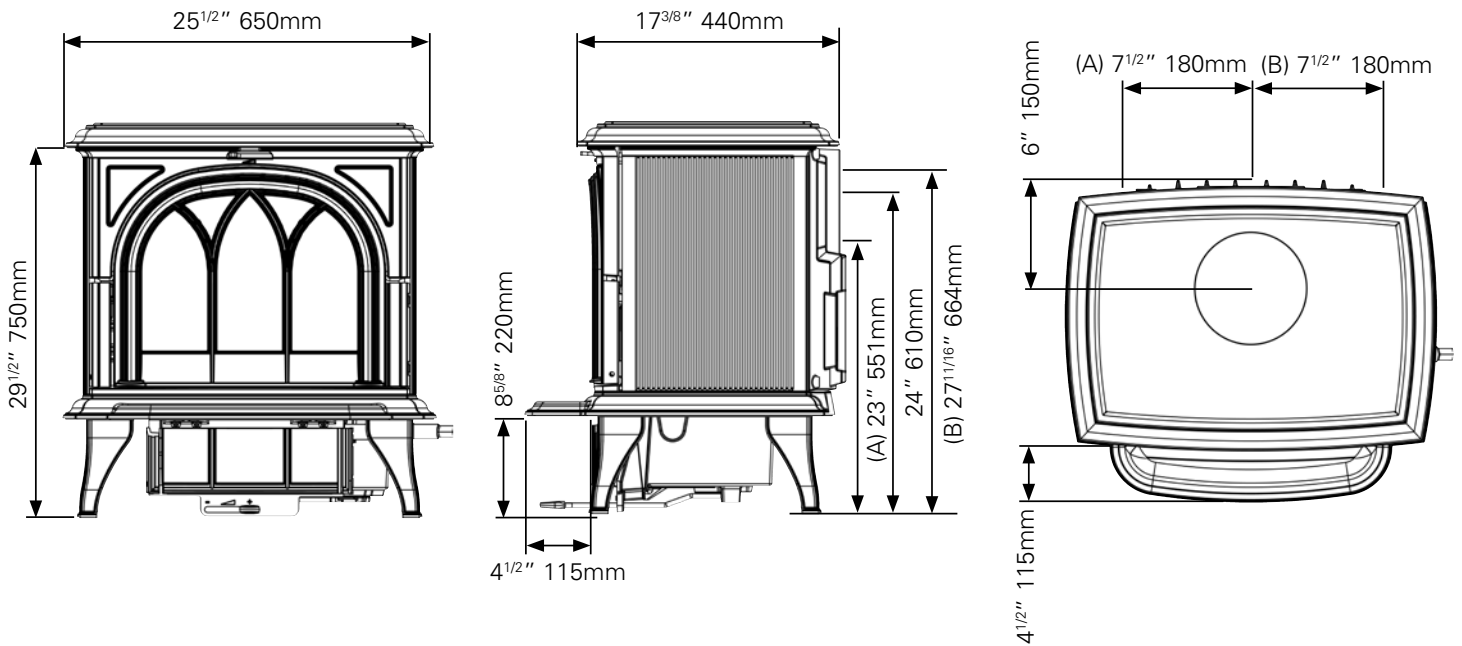
STOVAX

PRODUCT DIMENSIONS

IMPORTANT

The dimensional information given below is to assist you in your choice of appliance. It is not intended to provide all the information that may be required for installation purposes. This can be obtained from your retailer or by viewing/downloading the full installation manuals.

HUNTINGDON 40



Weight: 180kg

Short Leg Options:

Overall height 26 3/8" (670mm)

Leg height 6" (150mm)

(A) and (B) Tapping points for boiler options.