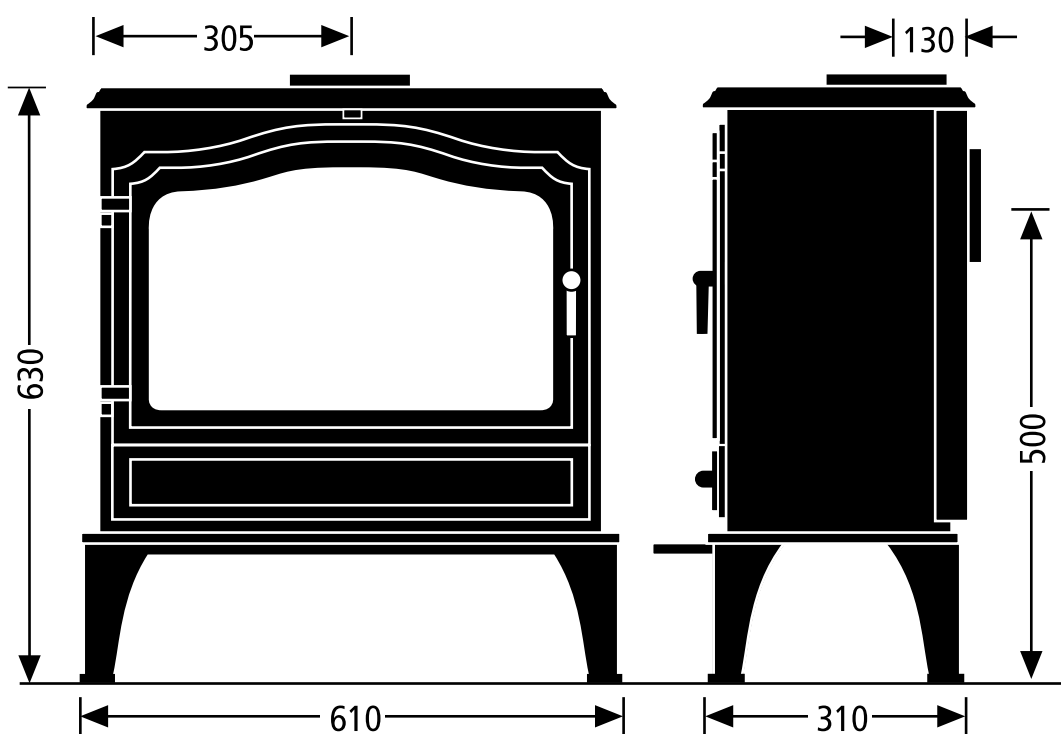




Great British Stoves

Dimensions

100/DD/SE 200/12B 100/DD/SE



Efficiency Test Data

Model	Fuel	Output kW EN13240(ST)	Efficiency %	CO Emissions Corrected to 13% O ₂	Fuel/Hr Kgs	Flue temp Mean °C
100/125	Logs	5	82.1	0.61	1.4	244
100/125	Anthracite	4.8	77.6	0.36	0.75	235



MASTER STOVE
MAKER SINCE 1854